

# Dialight

## HAZARDOUS LOCATION LED VISUAL SIGNAL LIGHT



ETL Listed in compliance with  
UL1598 and UL844 for use in  
Class 1, Div 2 Hazardous Locations

### FEATURES / BENEFITS

- ▲ Inherent safety capability; low electrical/thermal energy and high light output
- ▲ Suitable for all Class 1, Div 2, Groups A, B, C, D hazardous environments, T4 rated
- ▲ ATEX certified, equipment group II (surface industries), category 3 (zone 2), T4 rated
- ▲ Unique optically designed lens to enhance LED operation and provide 360° visibility
- ▲ Weather/corrosion resistant lamp assembly and housing
- ▲ Self-contained wiring compartment eliminates additional boxes
- ▲ Can be operated steady or flashed (controller not supplied)
- ▲ Available as a single or dual unit
- ▲ Resistant to shock and vibration
- ▲ Threaded 1" and 3/4" bottom hub for mounting
- ▲ Lasts years longer than an incandescent
- ▲ 5 year warranty
- ▲ IP 66 / NEMA 4X rated

US PATENT# 6,425,678

**Certified to:** ATEX, equipment group II (surface industries), category 3 (zone 2), T4 rated



Ex nA IIC T4

### APPLICATION

▲ The Dialight Visual Signal Light is an LED BASED Class 1, Division 2 certified fixture. Used for visual indication in hazardous environments, providing a valuable solution to the petrochemical industry facilities.

### OPERATING CONDITIONS

▲ Temperatures ranging from -67°F to +131°F (-55°C to +55°C). Will withstand wind in excess of 150 mph (240 kph), salt fog.

### MATERIALS / FINISH

- ▲ Cast aluminum housing and stainless steel hardware.
- ▲ Electro-statically applied powdercoat of aviation orange paint.



### ELECTRICAL SPECIFICATIONS

	VA	OPERATING VOLTAGE			WATTS (W)		AMPS
		Min	Nominal	Max	Typ	Max	
120VAC UNITS	46.5	92	120	132	14.5	17.5	120mA
220VAC UNITS (60 Hz)	74	198	220	265	14.5	17.5	120mA

#### Dialight Europe Ltd.

Exning Road, Newmarket, England, CB8 0AX  
Tel: +44 (0) 1638 666541 • Fax: +44 (0) 1638 561735  
www.dialight-obstruction-lights.com  
A Subsidiary of Dialight PLC



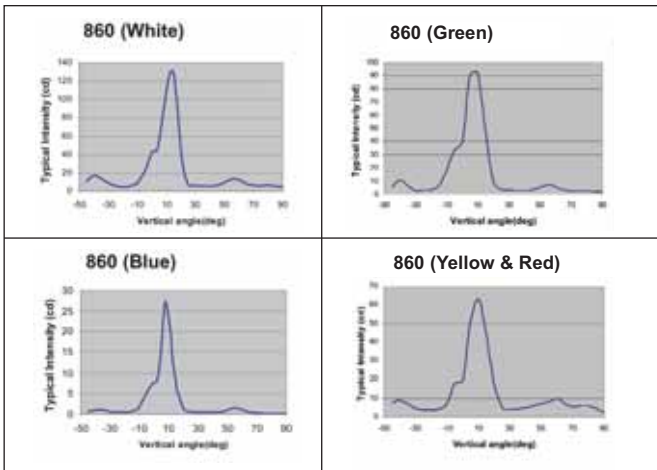
#### Dialight Corporation

1501 Route 34 South • Farmingdale, NJ 07727 USA  
Tel: (1) 732-919-3119 • Fax: (1) 732-751-5778  
www.dialight.com

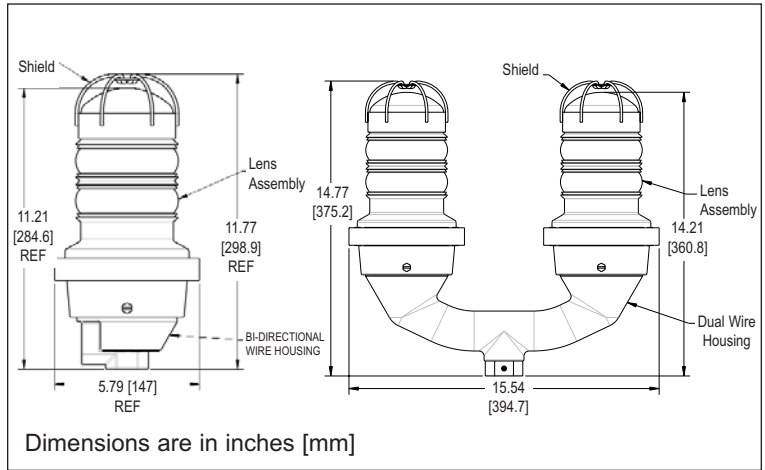


MDTF860C1D2004\_G

### PHOTOMETRIC DATA



### MECHANICAL DIMENSIONS



### ORDERING INFORMATION

#### Single Units

Single, Red	860-XR0Y-001
Single, Green	860-XG0Y-001
Single, Yellow (Amber)	860-XY0Y-001
Single, Blue	860-XB0Y-001
Single, White	860-XW0Y-001

*note: X indicates certification  
Y indicates voltage  
(See Certification / Voltage Chart)*

#### Double Units

Double, Red	860-XR0Y-002
Double, Green	860-XG0Y-002
Double, Yellow (Amber)	860-XY0Y-002
Double, Blue	860-XB0Y-002
Double, White	860-XW0Y-002

*note: X indicates certification  
Y indicates voltage  
(See Certification / Voltage Chart)*

### CERTIFICATION / VOLTAGE CHART

X = 2:	Class 1, Div 2
X = 9:	ATEX
Y = 1:	120 VAC
Y = 2:	220 VAC

### Replacement Light Assemblies

Single, Red	860-XR0Y
Single, Green	860-XG0Y
Single, Yellow (Amber)	860-XY0Y
Single, Blue	860-XB0Y
Single, White	860-XW0Y

*note: X indicates certification  
Y indicates voltage  
(See Certification / Voltage Chart)*

### WEIGHTS & MEASUREMENTS

PART NUMBER	APPROX. SHIPPING WEIGHT	CONTAINER DIMENSIONS
Single Unit	7.14 lbs	16" x 9" x 8"
Dual Unit	16.06 lbs	22" x 17" x 9"

#### Dialight Europe Ltd.

Exning Road, Newmarket, England, CB8 0AX  
Tel: +44 (0) 1638 666541 • Fax: +44 (0) 1638 561735  
www.dialight-obstruction-lights.com  
A Subsidiary of Dialight PLC



#### Dialight Corporation

1501 Route 34 South • Farmingdale, NJ 07727 USA  
Tel: (1) 732-919-3119 • Fax: (1) 732-751-5778  
www.dialight.com

