

MOTOR DISCONNECT SWITCHES

FEATURES AND BENEFITS:

- One of the smallest 60A switches in the industry with compact design
- Advanced switch technology (use of silver contacts ensures safe and durable operation)
- Across the line, motor starting - up to 75hp/600V
- General Use Rating - 25A to 150A/600V
- Available as rotary switches for extended or direct handle
- Toggle switches
- Non-fused switch
- Interrupting capacity 10kA with back-up fuse
- DIN Rail and panel mount available
- Comprehensive range of accessories includes Door Mounting Kits & Fuse Holder
- Snap on auxiliary contacts
- Enclosed switches with NEMA Type 4x rating

UL508 Listed Manual Motor Controllers

with Disconnecting Means



AC Motor Across-The-Line
AC General Use



EXTENDED / DIRECT HANDLE MOTOR DISCONNECT SWITCH

| | |
|-----------------------------|-----|
| KU/VKA switches | 4-5 |
| Extended Handle Accessories | 6 |
| Direct Handle Accessories | 7 |



TOGGLE HANDLE MOTOR DISCONNECT SWITCH

| | |
|----------------------------------|-------|
| KUE/EVA Switches and Accessories | 10-11 |
|----------------------------------|-------|



ENCLOSED MOTOR DISCONNECT SWITCHES

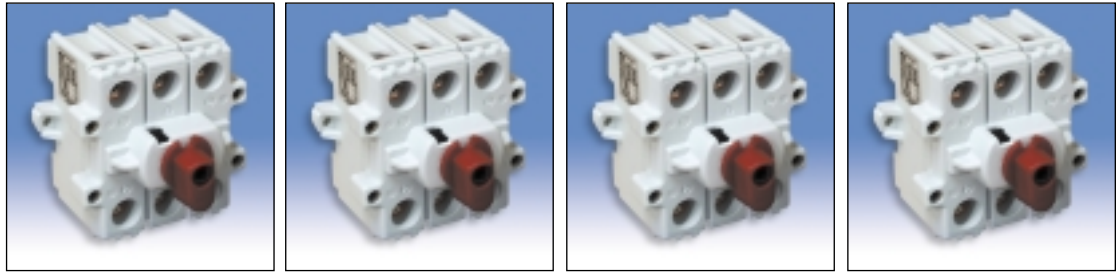
| | |
|------------------------------|-------|
| KEM Switches and Accessories | 12-13 |
|------------------------------|-------|

APPLICATION EXAMPLES

| | |
|--|-----|
| | 8-9 |
|--|-----|

ADDITIONAL PRODUCTS

| | |
|--|----|
| | 14 |
|--|----|



| Catalog Number | VKA380N | VKA3100N | VKA3125N | VKA3160N |
|-------------------------|----------------------|-----------------------|-----------------------|-----------------------|
| No. of Poles | 3 (4 pole - VKA480N) | 3 (4 pole - VKA4100N) | 3 (4 pole - VKA4125N) | 3 (4 pole - VKA4160N) |
| General Purpose Current | 80A | 100A | 125A | 150A |
| Maximum Voltage | 600V AC | 600V AC | 600V AC | 600V AC |
| Motor FLA @ 480V AC | - | - | - | - |
| Motor FLA @ 600V AC | 47A | 54A | 68A | 83A |

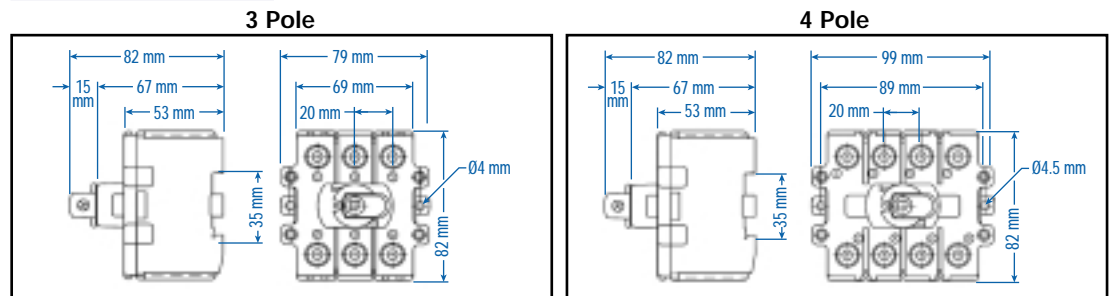
| Horsepower Rating /HP | 1 Phase | | 3 Phase | | 1 Phase | | 3 Phase | | 1 Phase | | 3 Phase | |
|-----------------------|---------|-----|---------|-----|---------|----|---------|----|---------|----|---------|----|
| | 3 | 7.5 | 3 | 7.5 | 5 | 10 | 7.5 | 10 | 10 | 25 | 15 | 20 |
| 110-120V AC | 3 | 7.5 | 3 | 7.5 | 5 | 10 | 7.5 | 10 | 10 | 25 | 15 | 20 |
| 200V AC | 7.5 | 10 | 7.5 | 15 | 10 | 20 | 10 | 20 | 10 | 25 | 15 | 25 |
| 208V AC | 7.5 | 15 | 7.5 | 15 | 10 | 20 | 10 | 20 | 10 | 25 | 15 | 25 |
| 220-240V AC | 7.5 | 15 | 10 | 20 | 15 | 25 | 15 | 25 | 15 | 30 | 20 | 30 |
| 265V AC | 10 | 20 | 10 | 20 | 15 | 25 | 20 | 25 | 20 | 30 | 20 | 30 |
| 277V AC | 10 | 20 | 10 | 20 | 15 | 30 | 20 | 30 | 20 | 30 | 20 | 30 |
| 380-415V AC | 15 | 25 | 15 | 30 | 20 | 40 | 25 | 50 | 30 | 60 | 40 | 75 |
| 440-480V AC | 20 | 30 | 20 | 40 | 25 | 50 | 30 | 60 | 30 | 60 | 40 | 75 |
| 550-600V AC | 25 | 40 | 30 | 50 | 30 | 60 | 40 | 75 | 40 | 75 | 40 | 75 |

| Short Circuit Withstand Rating at 600 V with Max. Fuse Size/Class: | 10kA | | 10kA | | 10kA | | 10kA | |
|--|------|------|------|------|------|------|------|------|
| | 150A | 150A | 150A | 150A | 150A | 150A | 150A | 150A |
| K5 | 150A | 150A | 150A | 150A | 150A | 150A | 150A | 150A |
| RK5 | 150A | 150A | 150A | 150A | 150A | 150A | 150A | 150A |
| RK1 | - | - | - | - | - | - | - | - |
| J | 200A | 200A | 200A | 200A | 200A | 200A | 200A | 200A |

| Terminal Size Acceptability (Cu Conductors only, 75°C) | 4-1/0AWG | | 4-1/0AWG | | 4-1/0AWG | | 4-1/0AWG | |
|--|----------|--|----------|--|----------|--|----------|--|
|--|----------|--|----------|--|----------|--|----------|--|

| Terminal Torque | 50 lb. in. | | 50 lb. in. | | 50 lb. in. | | 50 lb. in. | |
|-----------------|------------|--|------------|--|------------|--|------------|--|
|-----------------|------------|--|------------|--|------------|--|------------|--|

Dimensions



(to convert to inches multiply by 0.03937)

(to convert to inches multiply by 0.03937)

| Weight | 0.480Kg (1.058lb.) (3 pole) | | 0.480Kg (1.058lb.) (3 pole) | | 0.480Kg (1.058lb.) (3 pole) | | 0.480Kg (1.058lb.) (3 pole) | |
|--------|-----------------------------|--|-----------------------------|--|-----------------------------|--|-----------------------------|--|
| | 0.620Kg (1.367lb.) (4 pole) | | 0.620Kg (1.367lb.) (4 pole) | | 0.620Kg (1.367lb.) (4 pole) | | 0.620Kg (1.367lb.) (4 pole) | |

Suitable Accessories

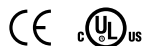
Extended Handle Version/
Door Interlock Mechanism

| | | | | |
|------------------|------------------|------------------|------------------|------------------|
| Shaft | L1(2.3)00AD11-ST | L1(2.3)00AD11-ST | L1(2.3)00AD11-ST | L1(2.3)00AD11-ST |
| Handle | LK11 (Y/R) U | LK11 (Y/R) U | LK11 (Y/R) U | LK11 (Y/R) U |
| Auxiliary Switch | VKA1.V, VKA2.V | VKA1.V, VKA2.V | VKA1.V, VKA2.V | VKA1.V, VKA2.V |
| Fuse Holder | - | - | - | - |

Direct Handle Version

| | | | | |
|-------------------|-----------------|-----------------|-----------------|-----------------|
| Handle for 3 Pole | K/VKA3-4P (Y/R) | K/VKA3-4P (Y/R) | K/VKA3-4P (Y/R) | K/VKA3-4P (Y/R) |
| Handle for 4 Pole | K/VKA4P (Y/R) | K/KU4P (Y/R) | K/KU4P (Y/R) | K/KU4P (Y/R) |
| Door Mounting Kit | OKAV LK11 (Y/R) | OKAV LK11 (Y/R) | OKAV LK11 (Y/R) | OKAV LK11 (Y/R) |

Toggle Handle Motor Disconnect Switch



The KUE series only requires an additional cover plate (see below) which makes the switch IP20 touch proof.



| Catalog Number | KUE325 | KUE340 | KUE363 |
|-------------------------|---------|---------|---------|
| No. of Poles | 3 | 3 | 3 |
| General Purpose Current | 25A | 40A | 60A |
| Maximum Voltage | 600V AC | 600V AC | 600V AC |
| Motor FLA @ 480V AC | 17.5A | 28A | 34A |
| Motor FLA @ 600V AC | 11A | 18A | 27A |

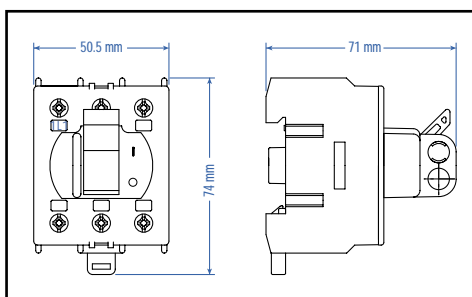
| Horsepower Rating /HP | KUE325 | | KUE340 | | KUE363 | |
|-----------------------|---------|---------|---------|---------|---------|---------|
| | 1 Phase | 3 Phase | 1 Phase | 3 Phase | 1 Phase | 3 Phase |
| 110-120V AC | 1 | 2 | 2 | 3 | 3 | 5 |
| 200V AC | 2 | 5 | 3 | 7.5 | 5 | 10 |
| 208V AC | 2 | 5 | 3 | 7.5 | 5 | 10 |
| 220-240V AC | 3 | 7.5 | 5 | 10 | 5 | 10 |
| 265V AC | 3 | 7.5 | 5 | 10 | 5 | 10 |
| 277V AC | 3 | 7.5 | 5 | 10 | 7.5 | 10 |
| 380-415V AC | 5 | 10 | 7.5 | 15 | 10 | 20 |
| 440-480V AC | 7.5 | 15 | 10 | 20 | 15 | 25 |
| 550-600V AC | 5 | 10 | 7.5 | 15 | 15 | 25 |

| Short Circuit Withstand Rating at 600 V with Max. Fuse Size/Class: | KUE325 | KUE340 | KUE363 |
|--|--------|--------|-------------------|
| K5 | 50A | 50A | 60A |
| RK5 | 50A | 50A | 60A (80A@480V AC) |
| RK1 | 80A | 80A | 100A |
| J | 80A | 80A | 100A |

| Terminal Size Acceptability (Cu Conductors only, 75°C) | KUE325 | KUE340 | KUE363 |
|---|------------|------------|------------|
| Terminal Size Acceptability | 14-8AWG | 14-8AWG | 12-4AWG |
| Terminal Torque | 16 lb. in. | 16 lb. in. | 16 lb. in. |

Dimensions

(to convert to inches multiply by 0.03937)



| Weight | KUE325 | KUE340 | KUE363 |
|--------|--------------------|--------------------|--------------------|
| Weight | 0.172Kg (0.379lb.) | 0.172Kg (0.379lb.) | 0.172Kg (0.379lb.) |

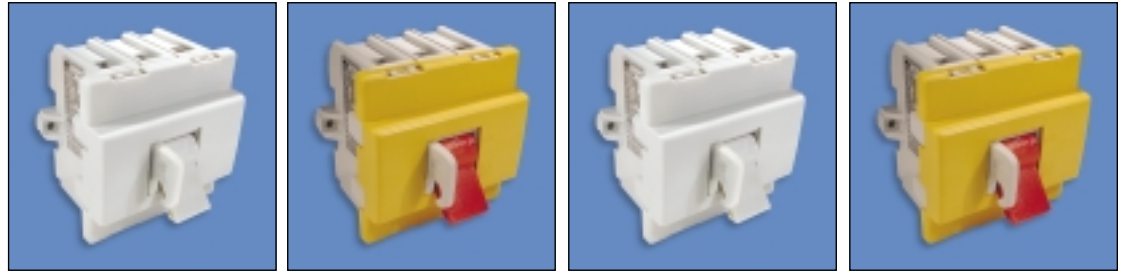
Suitable Accessories

Cover Plate



| Cat. No. | K/KUE | K/KUE Y | R/KUE | R/KUE Y |
|----------|-------------|-------------|----------|----------|
| Color | Grey | Yellow | Grey | Yellow |
| Shape | Rectangular | Rectangular | Circular | Circular |

The EVA series includes a cover plate.



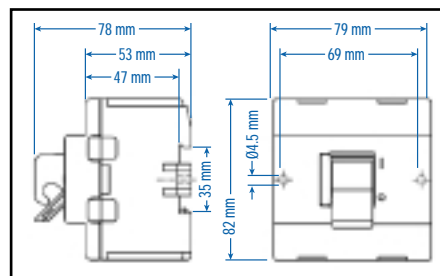
| Catalog Number | EVA380 + K/EVA EVA380 + K/EVA Y/R | EVA3100 + K/EVA EVA3100 + K/EVA Y/R | EVA3125 + K/EVA EVA3125 + K/EVA Y/R | EVA3160 + K/EVA EVA3160 + K/EVA Y/R |
|-------------------------|--------------------------------------|--|--|--|
| No. of Poles | 3 | 3 | 3 | 3 |
| General Purpose Current | 80A | 100A | 125A | 150A |
| Maximum Voltage | 600V AC | 600V AC | 600V AC | 600V AC |
| Motor FLA @ 480V AC | — | — | — | — |
| Motor FLA @ 600V AC | 47A | 54A | 68A | 83A |

| Horsepower Rating /HP | 1 Phase | | 3 Phase | | 1 Phase | | 3 Phase | | 1 Phase | | 3 Phase | |
|-----------------------|-------------|----|---------|----|---------|----|---------|----|---------|-----|---------|-----|
| | 110-120V AC | 3 | 7.5 | 3 | 7.5 | 5 | 10 | 5 | 10 | 7.5 | 10 | 7.5 |
| 200V AC | 7.5 | 10 | 7.5 | 15 | 10 | 20 | 10 | 20 | 10 | 25 | 10 | 25 |
| 208V AC | 7.5 | 15 | 7.5 | 15 | 10 | 20 | 10 | 20 | 10 | 25 | 10 | 25 |
| 220-240V AC | 7.5 | 15 | 10 | 20 | 15 | 25 | 15 | 25 | 15 | 30 | 15 | 30 |
| 265V AC | 10 | 20 | 10 | 20 | 15 | 25 | 15 | 25 | 20 | 30 | 20 | 30 |
| 277V AC | 10 | 20 | 10 | 20 | 15 | 30 | 15 | 30 | 20 | 30 | 20 | 30 |
| 380-415V AC | 15 | 25 | 15 | 30 | 20 | 40 | 20 | 40 | 25 | 50 | 25 | 50 |
| 440-480V AC | 20 | 30 | 20 | 40 | 25 | 50 | 25 | 50 | 30 | 60 | 30 | 60 |
| 550-600V AC | 25 | 40 | 30 | 50 | 30 | 60 | 30 | 60 | 40 | 75 | 40 | 75 |

| Short Circuit Withstand Rating at 600 V with Max. Fuse Size/Class: | 10kA | 10kA | 10kA | 10kA |
|--|------------|------------|------------|------------|
| K5 | 150A | 150A | 150A | 150A |
| RK5 | 150A | 150A | 150A | 150A |
| RK1 | — | — | — | — |
| J | 200A | 200A | 200A | 200A |
| Terminal Size Acceptability | 4-1/0AWG | 4-1/0AWG | 4-1/0AWG | 4-1/0AWG |
| (Cu Conductors only, 75°C) | | | | |
| Terminal Torque | 50 lb. in. | 50 lb. in. | 50 lb. in. | 50 lb. in. |

Dimensions

(to convert to inches multiply by 0.03937)

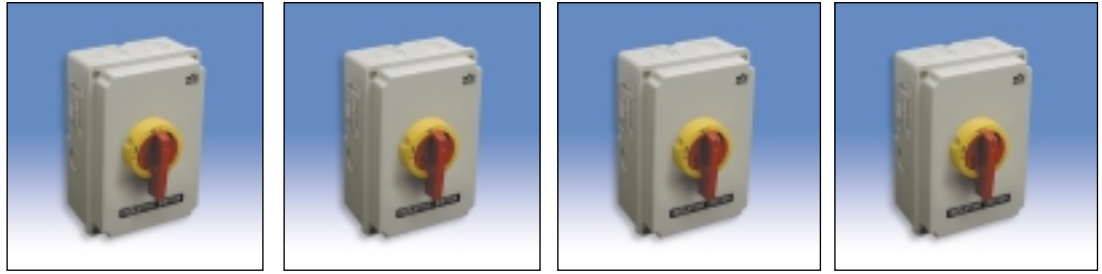


| Weight | 0.480Kg (1.058lb.) (3 pole) | 0.480Kg (1.058lb.) (3 pole) | 0.480Kg (1.058lb.) (3 pole) | 0.480Kg (1.058lb.) (3 pole) |
|--------|-----------------------------|-----------------------------|-----------------------------|-----------------------------|
|--------|-----------------------------|-----------------------------|-----------------------------|-----------------------------|

Enclosed Motor Disconnect Switch

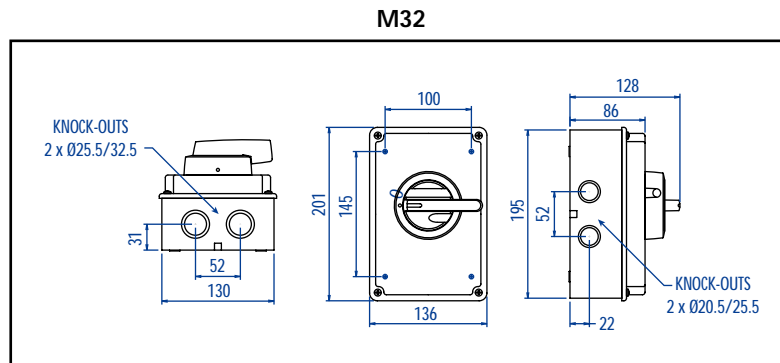


These enclosed switches can be used locally at the motor.



| Catalog Number | KEM325L KEM325L (Y/R) | | KEM340L KEM340L (Y/R) | | KEM360L KEM360L (Y/R) | | KEM380L KEM380L (Y/R) | |
|---|--------------------------|----------------|--------------------------|----------------|--------------------------|----------------|--------------------------|----------------|
| No. of Poles | 3 | | 3 | | 3 | | 3 | |
| General Purpose Current | 25A | | 40A | | 60A | | 80A | |
| Maximum Voltage | 600V AC | | 600V AC | | 600V AC | | 600V AC | |
| Motor FLA @ 480V AC | 17.5A | | 28A | | 34A | | - | |
| Motor FLA @ 600V AC | 11A | | 18A | | 27A | | 47A | |
| Horsepower Rating /HP | 1 Phase | 3 Phase | 1 Phase | 3 Phase | 1 Phase | 3 Phase | 1 Phase | 3 Phase |
| 110-120V AC | 1 | 2 | 2 | 3 | 3 | 5 | 3 | 7.5 |
| 200V AC | 2 | 5 | 3 | 7.5 | 5 | 10 | 7.5 | 10 |
| 208V AC | 2 | 5 | 3 | 7.5 | 5 | 10 | 7.5 | 15 |
| 220-240V AC | 3 | 7.5 | 5 | 10 | 5 | 10 | 7.5 | 15 |
| 265V AC | 3 | 7.5 | 5 | 10 | 5 | 10 | 10 | 20 |
| 277V AC | 3 | 7.5 | 5 | 10 | 7.5 | 10 | 10 | 20 |
| 380-415V AC | 5 | 10 | 7.5 | 15 | 10 | 20 | 15 | 25 |
| 440-480V AC | 7.5 | 15 | 10 | 20 | 15 | 25 | 20 | 30 |
| 550-600V AC | 5 | 10 | 7.5 | 15 | 15 | 25 | 25 | 40 |
| Short Circuit Withstand Rating at 600 V with Max. Fuse Size/Class: | 10kA | | 10kA | | 10kA | | 10kA | |
| K5 | 50A | | 50A | | 60A | | 150A | |
| RK5 | 50A | | 50A | | 60A (80A@480V AC) | | 150A | |
| RK1 | 80A | | 80A | | 100A | | - | |
| J | 80A | | 80A | | 100A | | 200A | |
| Terminal Size Acceptability (Cu Conductors only, 75°C) | 14-8AWG | | 14-8AWG | | 12-4AWG | | 4-1/0AWG | |
| Terminal Torque | 16 lb. in. | | 16 lb. in. | | 16 lb. in. | | 50 lb. in. | |
| Environmental Rating | NEMA Type 4X | | NEMA Type 4X | | NEMA Type 4X | | NEMA Type 4X | |
| Enclosure Type Used | M32 | | M32 | | M32 | | M32 | |

Dimensions



(to convert to inches multiply by 0.03937)

| | | | | |
|---------------|------------------------|------------------------|--------------------------|-------------------------|
| Weight | 0.72kg (1 lb.-9.6 oz.) | 0.72kg (1 lb.-9.6 oz.) | 0.773kg (1 lb.-11.2 oz.) | 1.021kg (2 lb.-4.0 oz.) |
|---------------|------------------------|------------------------|--------------------------|-------------------------|

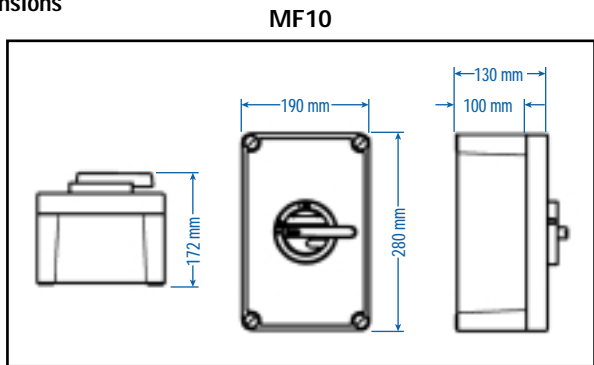
Suitable Accessories

| | | | | |
|---------------------------|--------------|--------------|--------------|----------------|
| Auxiliary Contacts | KU1.V, KU2.V | KU1.V, KU2.V | KU1.V, KU2.V | VKA1.V, VKA2.V |
|---------------------------|--------------|--------------|--------------|----------------|

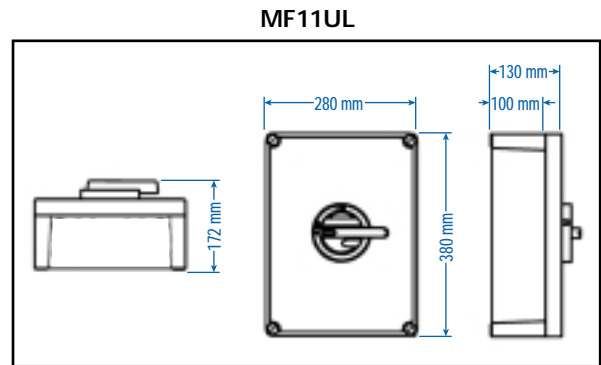


| Catalog Number | KEM3100L (Y/R) | | KEM3125L (Y/R) | | KEM3150L (Y/R) | |
|---|----------------|----------------|----------------|----------------|----------------|----------------|
| No. of Poles | 3 | | 3 | | 3 | |
| General Purpose Current | 100A | | 125A | | 150A | |
| Maximum Voltage | 600V AC | | 600V AC | | 600V AC | |
| Motor FLA @ 480V AC | - | | - | | - | |
| Motor FLA @ 600V AC | 54A | | 68A | | 83A | |
| Horsepower Rating /HP | 1 Phase | 3 Phase | 1 Phase | 3 Phase | 1 Phase | 3 Phase |
| 110-120V AC | 3 | 7.5 | 5 | 10 | 7.5 | 10 |
| 200V AC | 7.5 | 15 | 10 | 20 | 10 | 25 |
| 208V AC | 7.5 | 15 | 10 | 20 | 10 | 25 |
| 220-240V AC | 10 | 20 | 15 | 25 | 15 | 30 |
| 265V AC | 10 | 20 | 15 | 25 | 20 | 30 |
| 277V AC | 10 | 20 | 15 | 30 | 20 | 30 |
| 380-415V AC | 15 | 30 | 20 | 40 | 25 | 50 |
| 440-480V AC | 20 | 40 | 30 | 50 | 30 | 60 |
| 550-600V AC | 30 | 50 | 30 | 60 | 40 | 75 |
| Short Circuit Withstand Rating at 600 V with Max. Fuse Size/Class: | 10kA | | 10kA | | 10kA | |
| K5 | 150A | | 150A | | 150A | |
| RK5 | 150A | | 150A | | 150A | |
| RK1 | - | | - | | - | |
| J | 200A | | 200A | | 200A | |
| Terminal Size Acceptability (Cu Conductors only, 75°C) | 4-1/0AWG | | 4-1/0AWG | | 4-1/0AWG | |
| Terminal Torque | 50 lb. in. | | 50 lb. in. | | 50 lb. in. | |
| Environmental Rating | NEMA Type 4X | | NEMA Type 4X | | NEMA Type 4X | |
| Enclosure Type Used | MF10 | | MF10 | | MF11UL | |

Dimensions



(to convert to inches multiply by 0.03937)



(to convert to inches multiply by 0.03937)

| | | | |
|-----------------------------|--------------------------|--------------------------|--------------------------|
| Weight | 1.9051kg (4 lb. 3.2 oz.) | 1.9051kg (4 lb. 3.2 oz.) | 2.8351kg (6 lb. 4.0 oz.) |
| Suitable Accessories | VKA1.V, VKA2.V | VKA1.V, VKA2.V | VKA1.V, VKA2.V |
| Auxiliary Contacts | VKA1.V, VKA2.V | VKA1.V, VKA2.V | VKA1.V, VKA2.V |