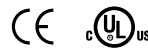


Extended/Direct Handle Motor Disconnect Switch



The KU/VKA...N series can be used with extended and direct handles (see page 8-9 for details).

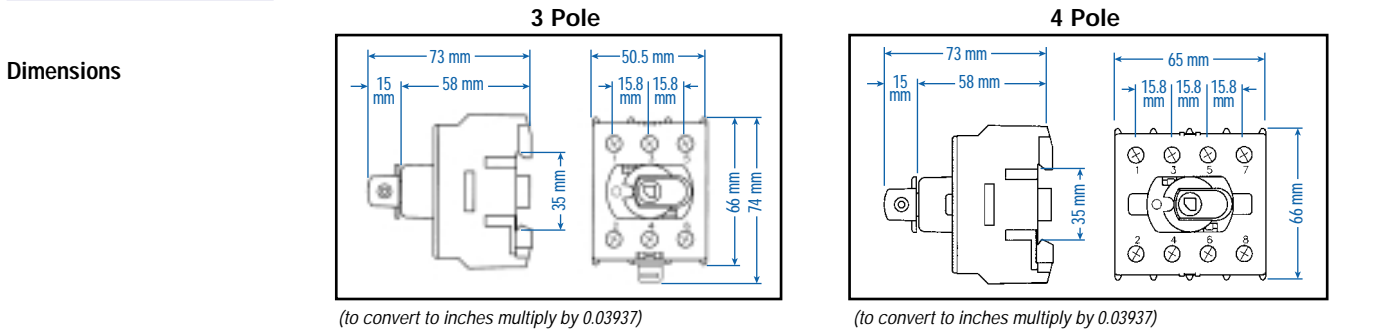


Catalog Number	KU325N	KU340N	KU363N
No. of Poles	3 (4 pole - KU425N)	3 (4 pole - KU440N)	3 (4 pole - KU463N)
General Purpose Current	25A	40A	60A
Maximum Voltage	600V AC	600V AC	600V AC
Motor FLA @ 480V AC	17.5A	28A	34A
Motor FLA @ 600V AC	11A	18A	27A

Horsepower Rating /HP	1 Phase		3 Phase		1 Phase		3 Phase		1 Phase		3 Phase	
	110-120V AC	1	2	2	3	3	5	5	10	5	10	10
200V AC	2	5	3	7.5	5	10	5	10	5	10	10	
208V AC	2	5	3	7.5	5	10	5	10	5	10	10	
220-240V AC	3	7.5	5	10	5	10	5	10	5	10	10	
265V AC	3	7.5	5	10	5	10	5	10	5	10	10	
277V AC	3	7.5	5	10	5	10	5	10	5	10	10	
380-415V AC	5	10	7.5	15	7.5	15	10	20	10	20	20	
440-480V AC	7.5	15	10	20	10	20	15	25	15	25	25	
550-600V AC	5	10	7.5	15	7.5	15	15	25	15	25	25	

Short Circuit Withstand Rating at 600 V with Max. Fuse Size/Class:	10kA	10kA	10kA
K5	50A	50A	60A
RK5	50A	50A	60A (80A@480V AC)
RK1	80A	80A	100A
J	80A	80A	100A

Terminal Size Acceptability	14-8AWG	14-8AWG	12-4AWG
(Cu Conductors only, 75°C)			
Terminal Torque	16 lb. in.	16 lb. in.	16 lb. in.



Weight	0.172Kg (0.379lb.) (3 pole) 0.215Kg (0.474lb.) (4 pole)	0.172Kg (0.379lb.) (3 pole) 0.215Kg (0.474lb.) (4 pole)	0.172Kg (0.379lb.) (3 pole) 0.215Kg (0.474lb.) (4 pole)
--------	------------------------------------------------------------	------------------------------------------------------------	------------------------------------------------------------

Suitable Accessories

Extended Handle Version/ Door Interlock Mechanism

Shaft	L1(2,3)00AD11-ST	L1(2,3)00AD11-ST	L1(2,3)00AD11-ST
Handle	LK11 (Y/R) U	LK11 (Y/R) U	LK11 (Y/R) U
Auxiliary Switch	KU1.V, KU2.V	KU1.V, KU2.V	KU1.V, KU2.V
Fuse Holder	—	KV 10x38, KV 10x38 CC	—

Direct Handle Version

Handle for 3 Pole	K/KU3P (Y/R)	K/KU3P (Y/R)	K/KU3P (Y/R)
Handle for 4 Pole	K/KU4P (Y/R)	K/KU4P (Y/R)	K/KU4P (Y/R)
Door Mounting Kit	OKA0.V (Y/R)	OKA0.V (Y/R)	OKA0.V (Y/R)

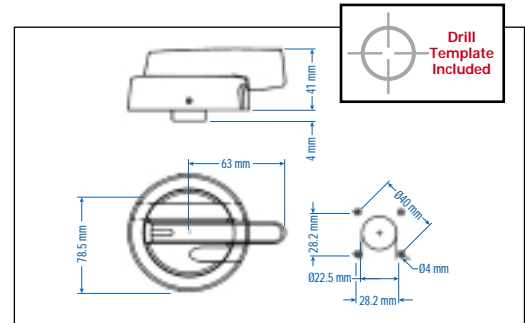
Extended Handle Accessories

DOOR INTERLOCK HANDLES

Features retention mechanism to keep in 'OFF' position while cabinet door is open. Only rotates 90° from off to on position. One defeatable.



Cat. No.	LK11 U	LK11 Y/R U
Environmental Rating	NEMA Type 4X, IP67	NEMA Type 4X, IP67
Color	Black	Yellow/Red



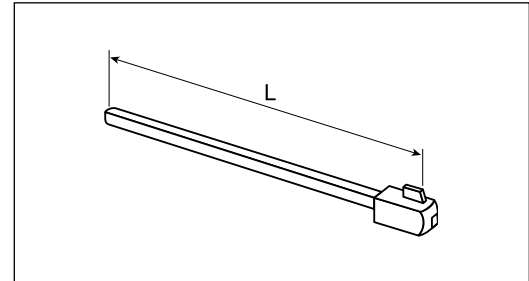
Dimensions (to convert to inches multiply by 0.03937)

DOOR INTERLOCK SHAFT

The steel shaft ensures reliable operation even in the toughest conditions.



Cat. No.	L100AD11-ST	L200AD11-ST	L300AD11-ST
Length (L)	100mm	200mm	300mm
Material	Steel	Steel	Steel



AUXILIARY SWITCHES

The auxiliary switches are the snap-on type and can be retrofitted.



Cat. No.	KU1.V	KU2.V	VKA1.V	VKA2.V
Electrical Rating	10A/1/2HP/125-250V AC	10A/1/2HP/125-250V AC	10A/1/2HP/125-250V AC	10A/1/2HP/125-250V AC
No. of contacts	1n.o./1n.c.	2n.o./2n.c.	1n.o./1n.c.	2n.o./2n.c.
For Use With	KU models	KU models	VKA models	VKA models

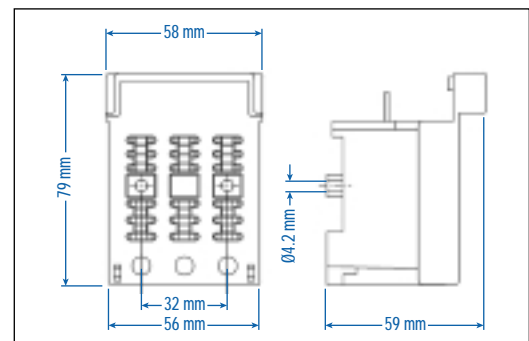
FUSE HOLDER

This fuseholder can be retrofitted with the KU340N. Therefore design changes can be incorporated with ease to allow a fusible disconnect.



Cat. No.	KV 10x38	KV 10x38 CC
Electrical Rating	30A/600V AC	30A/600V AC
Fuse Type	10x38, Midget	Class CC
For Use With	KU340N	KU340N

Dimensions (to convert to inches multiply by 0.03937)



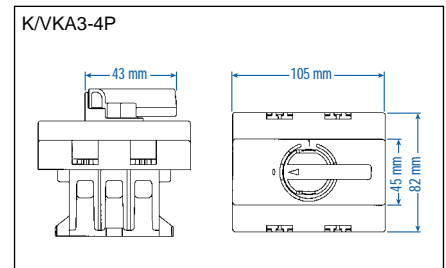
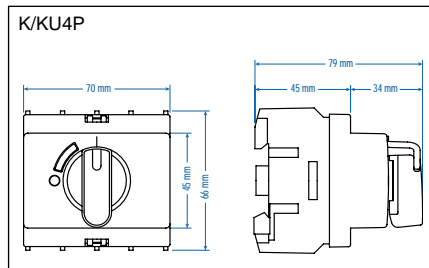
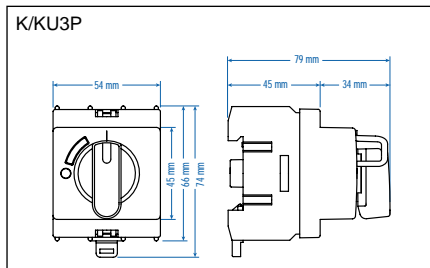
Direct Handle Accessories

DIRECT HANDLES

Improved design with metal shaft. Use for all your "inside the panel" applications.



Cat. No.	K/KU3P	K/KU3P Y/R	K/KU4P	K/KU4P Y/R	K/VKA3-4P	K/VKA3-4P Y/R
Color	Black	Yellow/Red	Black	Yellow/Red	Black	Yellow/Red
For use with	KU models (3P)	KU models (3P)	KU models (4P)	KU models (4P)	VKA models (3/4P)	VKA models (3/4P)
Dimensions						



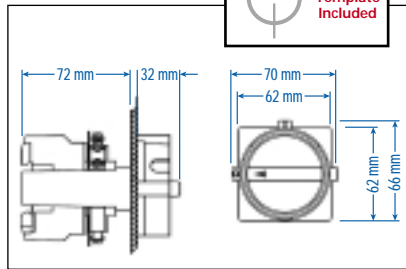
Dimensions (to convert to inches multiply by 0.03937)

DOOR MOUNTING KITS

Designed for fast and easy assembly.



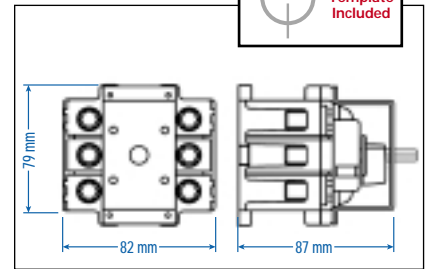
Shown with switch and display plate. (sold separately)



Drill Template Included



Shown with switch. (sold separately)



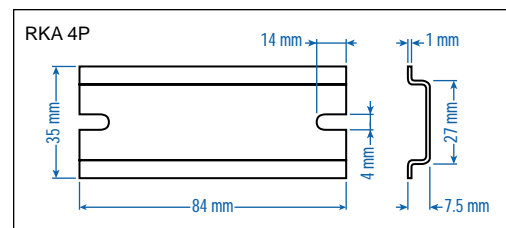
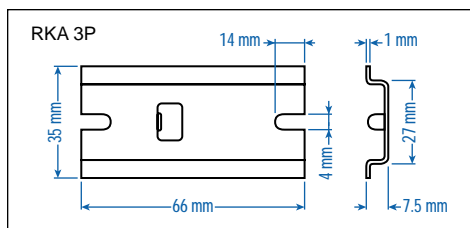
Drill Template Included

Cat. No.	OKA 0.V	OKA 0.V Y/R	OKA/V LK11	OKA/V LK11 Y/R
Environmental Rating	IP65	IP65	NEMA Type 4X, IP67	NEMA Type 4X, IP67
Color	Black	Yellow/Red	Black	Yellow/Red
For use with	KU models (3P)	KU models (3P)	VKA models (3P)	VKA models (3P)

MOUNTING ALTERNATIVES - ALUMINUM DIN RAIL

Dimensions (to convert to inches multiply by 0.03937)

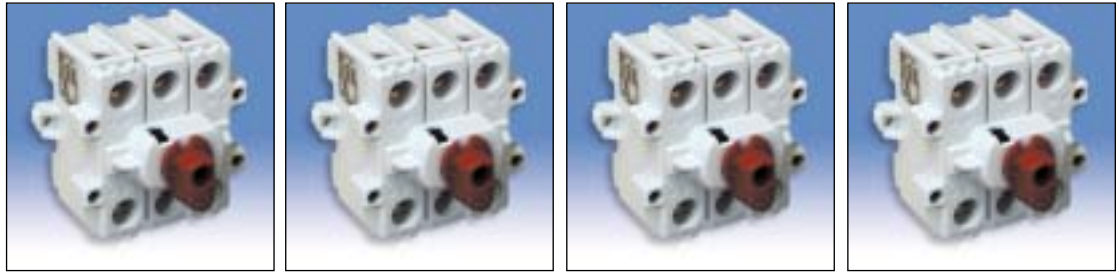
Panel mount option for small Disconnect Switches.



Cat. No.	RKA 3P	RKA 4P
For Use With	KU325/40/63N	KU425/40/63N

NOTE:

In the rare case that your mounting hardware (screws) for DIN Rail interfere with the enforcement studs in the back of the Motor Disconnect Switch please use smaller ($\leq M3$ or equivalent) flathead screws or change your DIN Rail to the 15mm high version.



Catalog Number	VKA380N	VKA3100N	VKA3125N	VKA3160N
No. of Poles	3 (4 pole - VKA480N)	3 (4 pole - VKA4100N)	3 (4 pole - VKA4125N)	3 (4 pole - VKA4160N)
General Purpose Current	80A	100A	125A	150A
Maximum Voltage	600V AC	600V AC	600V AC	600V AC
Motor FLA @ 480V AC	-	-	-	-
Motor FLA @ 600V AC	47A	54A	68A	83A

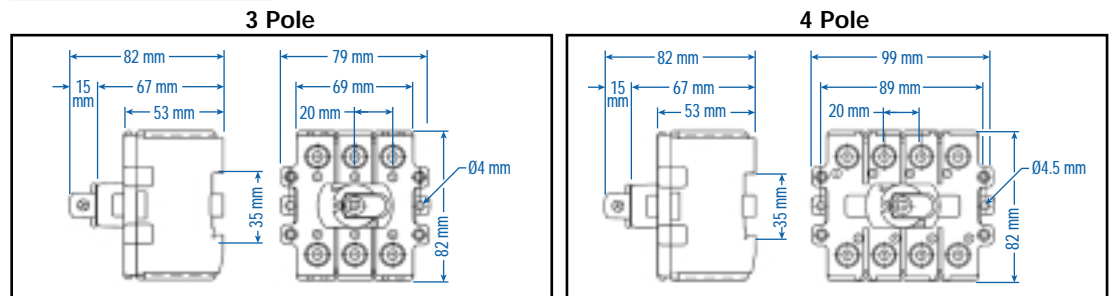
Horsepower Rating /HP	1 Phase		3 Phase		1 Phase		3 Phase		1 Phase		3 Phase	
	3	7.5	3	7.5	5	10	7.5	10	10	25	15	30
110-120V AC	3	7.5	3	7.5	5	10	7.5	10	10	25	15	30
200V AC	7.5	10	7.5	15	10	20	10	20	10	25	15	30
208V AC	7.5	15	7.5	15	10	20	10	20	10	25	15	30
220-240V AC	7.5	15	10	20	15	25	15	25	15	30	20	30
265V AC	10	20	10	20	15	25	20	30	20	30	20	30
277V AC	10	20	10	20	15	30	20	30	20	30	20	30
380-415V AC	15	25	15	30	20	40	25	50	30	60	40	75
440-480V AC	20	30	20	40	25	50	30	60	30	60	40	75
550-600V AC	25	40	30	50	30	60	40	75	40	75	40	75

Short Circuit Withstand Rating at 600 V with Max. Fuse Size/Class:	10kA		10kA		10kA		10kA	
	150A	150A	150A	150A	150A	150A	150A	150A
K5	150A	150A	150A	150A	150A	150A	150A	150A
RK5	150A	150A	150A	150A	150A	150A	150A	150A
RK1	-	-	-	-	-	-	-	-
J	200A	200A	200A	200A	200A	200A	200A	200A

Terminal Size Acceptability (Cu Conductors only, 75°C)	4-1/0AWG	4-1/0AWG	4-1/0AWG	4-1/0AWG
--------------------------------------------------------	----------	----------	----------	----------

Terminal Torque	50 lb. in.	50 lb. in.	50 lb. in.	50 lb. in.
-----------------	------------	------------	------------	------------

Dimensions



(to convert to inches multiply by 0.03937)

(to convert to inches multiply by 0.03937)

Weight	0.480Kg (1.058lb.) (3 pole)	0.480Kg (1.058lb.) (3 pole)	0.480Kg (1.058lb.) (3 pole)	0.480Kg (1.058lb.) (3 pole)
		0.620Kg (1.367lb.) (4 pole)	0.620Kg (1.367lb.) (4 pole)	0.620Kg (1.367lb.) (4 pole)

Suitable Accessories

Extended Handle Version/
Door Interlock Mechanism

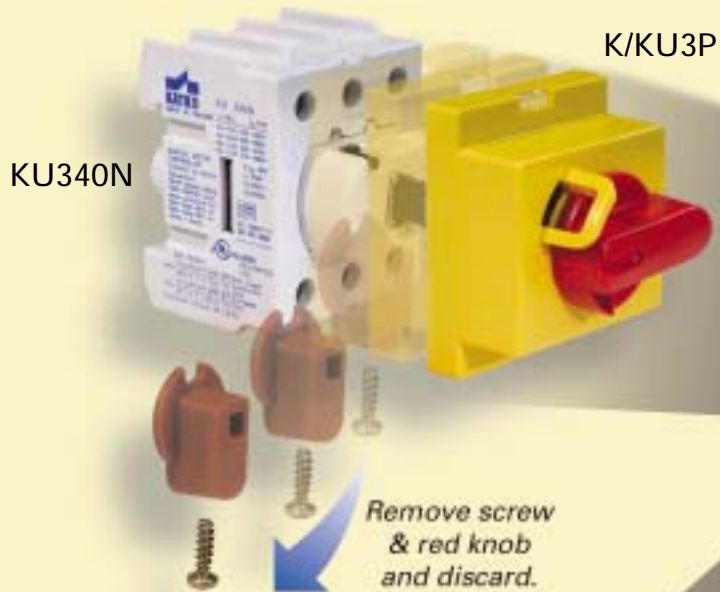
Shaft	L1(2.3)00AD11-ST	L1(2.3)00AD11-ST	L1(2.3)00AD11-ST	L1(2.3)00AD11-ST
Handle	LK11 (Y/R) U	LK11 (Y/R) U	LK11 (Y/R) U	LK11 (Y/R) U
Auxiliary Switch	VKA1.V, VKA2.V	VKA1.V, VKA2.V	VKA1.V, VKA2.V	VKA1.V, VKA2.V
Fuse Holder	-	-	-	-

Direct Handle Version

Handle for 3 Pole	K/VKA3-4P (Y/R)	K/VKA3-4P (Y/R)	K/VKA3-4P (Y/R)	K/VKA3-4P (Y/R)
Handle for 4 Pole	K/VKA4P (Y/R)	K/KU4P (Y/R)	K/KU4P (Y/R)	K/KU4P (Y/R)
Door Mounting Kit	OKAV LK11 (Y/R)	OKAV LK11 (Y/R)	OKAV LK11 (Y/R)	OKAV LK11 (Y/R)

Direct Handle Motor Disconnect Switch

*Used when a switch is required
within a panel.*



Toggle Handle Motor Disconnect Switch

*Used when a switch is required
within a panel.*

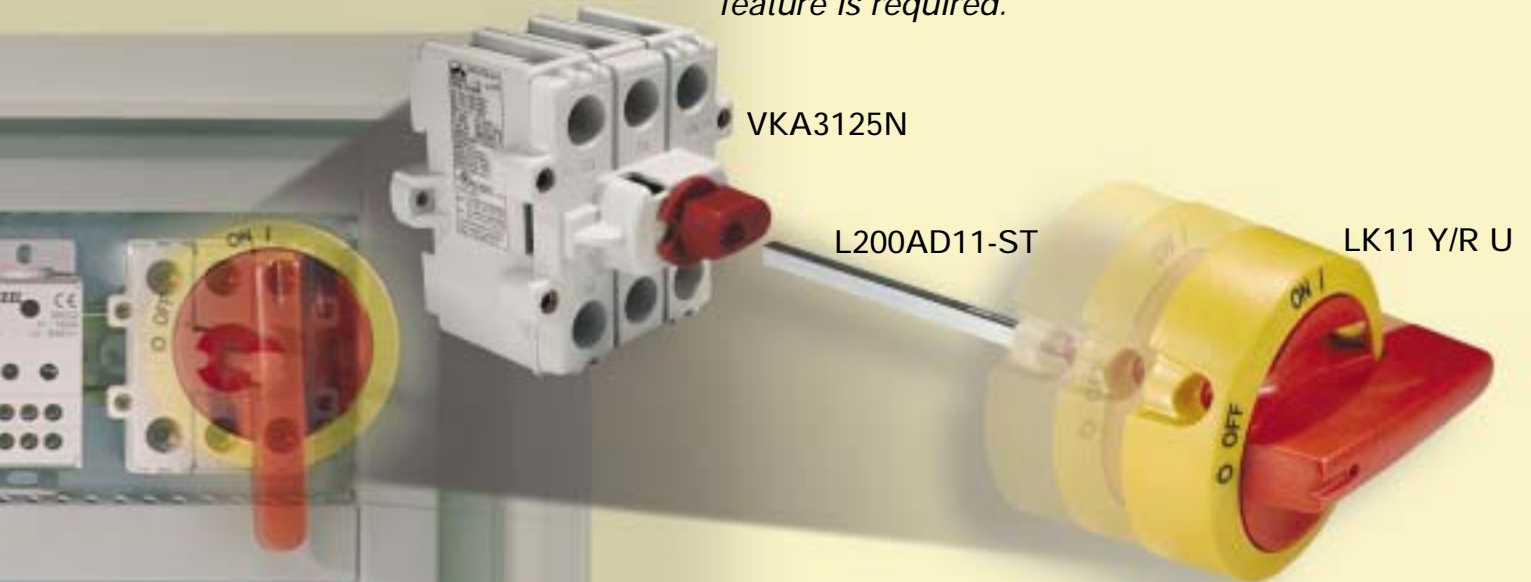


*Altech is a leading supplier
of circuit protection devices
and terminal blocks.*

Application Examples

Extended Handle Motor Disconnect Switch

*Used when the door interlocking
feature is required.*



Direct Handle Motor Disconnect Switch with Door Mounting Kit

*Mounted on the door or on
the side of a panel.*



Toggle Handle Motor Disconnect Switch



The KUE series only requires an additional cover plate (see below) which makes the switch IP20 touch proof.



Catalog Number	KUE325	KUE340	KUE363
No. of Poles	3	3	3
General Purpose Current	25A	40A	60A
Maximum Voltage	600V AC	600V AC	600V AC
Motor FLA @ 480V AC	17.5A	28A	34A
Motor FLA @ 600V AC	11A	18A	27A

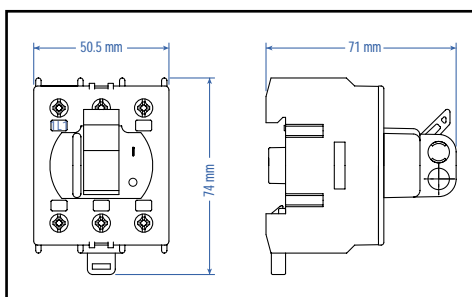
Horsepower Rating /HP	KUE325		KUE340		KUE363	
	1 Phase	3 Phase	1 Phase	3 Phase	1 Phase	3 Phase
110-120V AC	1	2	2	3	3	5
200V AC	2	5	3	7.5	5	10
208V AC	2	5	3	7.5	5	10
220-240V AC	3	7.5	5	10	5	10
265V AC	3	7.5	5	10	5	10
277V AC	3	7.5	5	10	7.5	10
380-415V AC	5	10	7.5	15	10	20
440-480V AC	7.5	15	10	20	15	25
550-600V AC	5	10	7.5	15	15	25

Short Circuit Withstand Rating at 600 V with Max. Fuse Size/Class:	KUE325	KUE340	KUE363
K5	50A	50A	60A
RK5	50A	50A	60A (80A@480V AC)
RK1	80A	80A	100A
J	80A	80A	100A

Terminal Size Acceptability (Cu Conductors only, 75°C)	KUE325	KUE340	KUE363
Terminal Size Acceptability	14-8AWG	14-8AWG	12-4AWG
Terminal Torque	16 lb. in.	16 lb. in.	16 lb. in.

Dimensions

(to convert to inches multiply by 0.03937)



Weight	KUE325	KUE340	KUE363
Weight	0.172Kg (0.379lb.)	0.172Kg (0.379lb.)	0.172Kg (0.379lb.)

Suitable Accessories

Cover Plate



Cat. No.	K/KUE	K/KUE Y	R/KUE	R/KUE Y
Color	Grey	Yellow	Grey	Yellow
Shape	Rectangular	Rectangular	Circular	Circular

The EVA series includes a cover plate.



Catalog Number	EVA380 + K/EVA EVA380 + K/EVA Y/R	EVA3100 + K/EVA EVA3100 + K/EVA Y/R	EVA3125 + K/EVA EVA3125 + K/EVA Y/R	EVA3160 + K/EVA EVA3160 + K/EVA Y/R
No. of Poles	3	3	3	3
General Purpose Current	80A	100A	125A	150A
Maximum Voltage	600V AC	600V AC	600V AC	600V AC
Motor FLA @ 480V AC	—	—	—	—
Motor FLA @ 600V AC	47A	54A	68A	83A

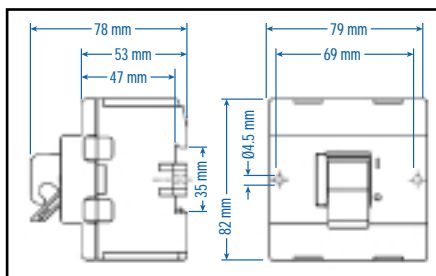
Horsepower Rating /HP	1 Phase		3 Phase		1 Phase		3 Phase		1 Phase		3 Phase	
	110-120V AC	3	7.5	3	7.5	5	10	5	10	7.5	10	7.5
200V AC	7.5	10	7.5	15	10	20	10	20	10	25	10	25
208V AC	7.5	15	7.5	15	10	20	10	20	10	25	10	25
220-240V AC	7.5	15	10	20	15	25	15	25	15	30	15	30
265V AC	10	20	10	20	15	25	15	25	20	30	20	30
277V AC	10	20	10	20	15	30	15	30	20	30	20	30
380-415V AC	15	25	15	30	20	40	20	40	25	50	25	50
440-480V AC	20	30	20	40	25	50	25	50	30	60	30	60
550-600V AC	25	40	30	50	30	60	30	60	40	75	40	75

Short Circuit Withstand Rating at 600 V with Max. Fuse Size/Class:	10kA	10kA	10kA	10kA
K5	150A	150A	150A	150A
RK5	150A	150A	150A	150A
RK1	—	—	—	—
J	200A	200A	200A	200A

Terminal Size Acceptability (Cu Conductors only, 75°C)	4-1/0AWG	4-1/0AWG	4-1/0AWG	4-1/0AWG
Terminal Torque	50 lb. in.	50 lb. in.	50 lb. in.	50 lb. in.

Dimensions

(to convert to inches multiply by 0.03937)



Weight	0.480Kg (1.058lb.) (3 pole)	0.480Kg (1.058lb.) (3 pole)	0.480Kg (1.058lb.) (3 pole)	0.480Kg (1.058lb.) (3 pole)
--------	-----------------------------	-----------------------------	-----------------------------	-----------------------------

Enclosed Motor Disconnect Switch

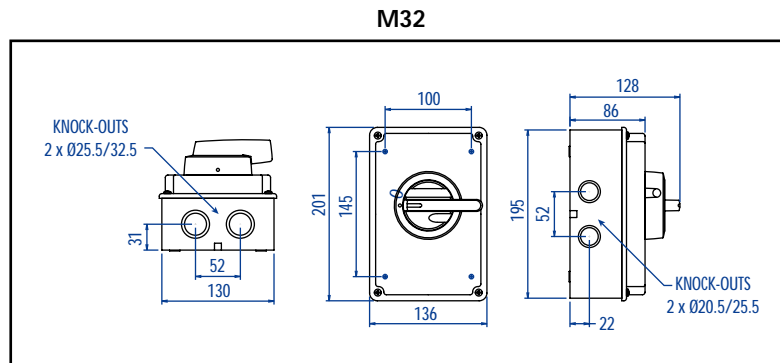


These enclosed switches can be used locally at the motor.



Catalog Number	KEM325L KEM325L (Y/R)		KEM340L KEM340L (Y/R)		KEM360L KEM360L (Y/R)		KEM380L KEM380L (Y/R)	
No. of Poles	3		3		3		3	
General Purpose Current	25A		40A		60A		80A	
Maximum Voltage	600V AC		600V AC		600V AC		600V AC	
Motor FLA @ 480V AC	17.5A		28A		34A		-	
Motor FLA @ 600V AC	11A		18A		27A		47A	
Horsepower Rating /HP	1 Phase	3 Phase	1 Phase	3 Phase	1 Phase	3 Phase	1 Phase	3 Phase
110-120V AC	1	2	2	3	3	5	3	7.5
200V AC	2	5	3	7.5	5	10	7.5	10
208V AC	2	5	3	7.5	5	10	7.5	15
220-240V AC	3	7.5	5	10	5	10	7.5	15
265V AC	3	7.5	5	10	5	10	10	20
277V AC	3	7.5	5	10	7.5	10	10	20
380-415V AC	5	10	7.5	15	10	20	15	25
440-480V AC	7.5	15	10	20	15	25	20	30
550-600V AC	5	10	7.5	15	15	25	25	40
Short Circuit Withstand Rating at 600 V with Max. Fuse Size/Class:	10kA		10kA		10kA		10kA	
K5	50A		50A		60A		150A	
RK5	50A		50A		60A (80A@480V AC)		150A	
RK1	80A		80A		100A		-	
J	80A		80A		100A		200A	
Terminal Size Acceptability (Cu Conductors only, 75°C)	14-8AWG		14-8AWG		12-4AWG		4-1/0AWG	
Terminal Torque	16 lb. in.		16 lb. in.		16 lb. in.		50 lb. in.	
Environmental Rating	NEMA Type 4X		NEMA Type 4X		NEMA Type 4X		NEMA Type 4X	
Enclosure Type Used	M32		M32		M32		M32	

Dimensions



(to convert to inches multiply by 0.03937)

Weight	0.72kg (1 lb.-9.6 oz.)	0.72kg (1 lb.-9.6 oz.)	0.773kg (1 lb.-11.2 oz.)	1.021kg (2 lb.-4.0 oz.)
---------------	------------------------	------------------------	--------------------------	-------------------------

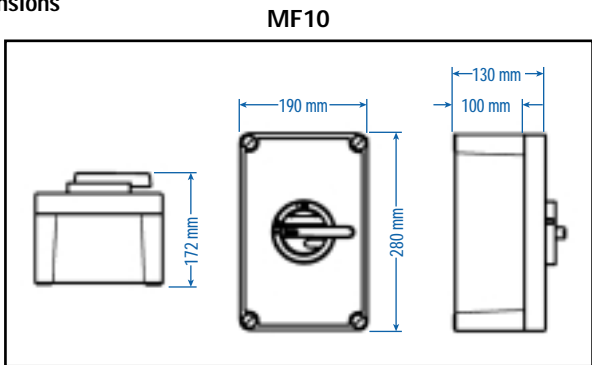
Suitable Accessories

Auxiliary Contacts	KU1.V, KU2.V	KU1.V, KU2.V	KU1.V, KU2.V	VKA1.V, VKA2.V
---------------------------	--------------	--------------	--------------	----------------

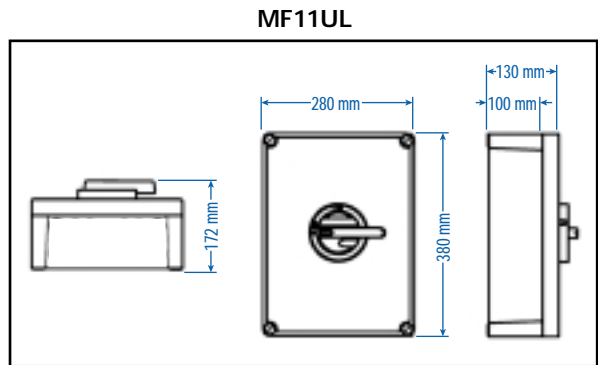


Catalog Number	KEM3100L (Y/R)		KEM3125L (Y/R)		KEM3150L (Y/R)	
No. of Poles	3		3		3	
General Purpose Current	100A		125A		150A	
Maximum Voltage	600V AC		600V AC		600V AC	
Motor FLA @ 480V AC	-		-		-	
Motor FLA @ 600V AC	54A		68A		83A	
Horsepower Rating /HP	1 Phase	3 Phase	1 Phase	3 Phase	1 Phase	3 Phase
110-120V AC	3	7.5	5	10	7.5	10
200V AC	7.5	15	10	20	10	25
208V AC	7.5	15	10	20	10	25
220-240V AC	10	20	15	25	15	30
265V AC	10	20	15	25	20	30
277V AC	10	20	15	30	20	30
380-415V AC	15	30	20	40	25	50
440-480V AC	20	40	30	50	30	60
550-600V AC	30	50	30	60	40	75
Short Circuit Withstand Rating at 600 V with Max. Fuse Size/Class:	10kA		10kA		10kA	
K5	150A		150A		150A	
RK5	150A		150A		150A	
RK1	-		-		-	
J	200A		200A		200A	
Terminal Size Acceptability (Cu Conductors only, 75°C)	4-1/0AWG		4-1/0AWG		4-1/0AWG	
Terminal Torque	50 lb. in.		50 lb. in.		50 lb. in.	
Environmental Rating	NEMA Type 4X		NEMA Type 4X		NEMA Type 4X	
Enclosure Type Used	MF10		MF10		MF11UL	

Dimensions



(to convert to inches multiply by 0.03937)



(to convert to inches multiply by 0.03937)

Weight	1.9051kg (4 lb. 3.2 oz.)	1.9051kg (4 lb. 3.2 oz.)	2.8351kg (6 lb. 4.0 oz.)
Suitable Accessories	VKA1.V, VKA2.V	VKA1.V, VKA2.V	VKA1.V, VKA2.V
Auxiliary Contacts	VKA1.V, VKA2.V	VKA1.V, VKA2.V	VKA1.V, VKA2.V