

## Power Rheostats

300 Watt



### FEATURES

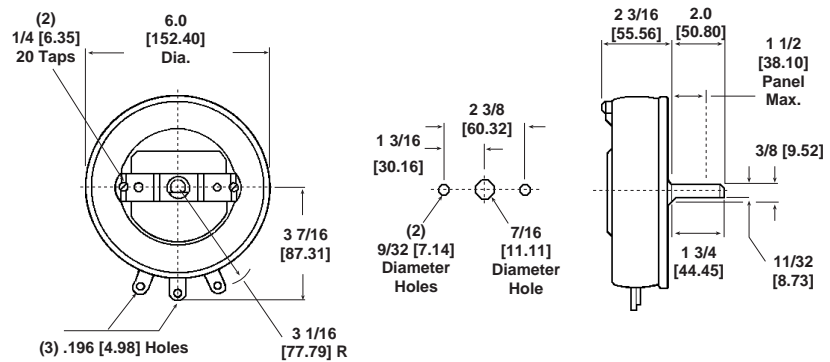
- Diameter 6" [152.40mm]
- Depth behind panel 2 3/16" [55.56mm]
- Shaft 3/8" [9.52mm] diameter
- Rotation 315° ± 5°
- Model "A" shaft
- Weight 2.625 pounds (1.191 kilograms)
- Total ohms available in higher ranges up to 25,000 ohms
- Mounts on panels up to 1 1/4" [31.75mm] by means of a mounting bracket with two 1/4" [6.35mm], 20 flat head screws
- U. L. Listed, File No. E51076

### RESISTANCE VALUES\*

TOTAL OHMS	MAXIMUM AMPS	APPROXIMATE STEPS
1.0	17.320	40
1.5	14.142	58
2.0	12.247	78
2.5	10.954	78
3.0	10.000	73
4.0	8.660	78
5.0	7.745	78
7.5	6.324	148
10.0	5.477	154
15.0	4.472	147
25.0	3.464	155
35.0	2.927	231
50.0	2.449	267
75.0	2.000	308
100.0	1.732	326
150.0	1.414	270
200.0	1.224	308
300.0	1.000	340
400.0	0.886	370
500.0	0.774	455
750.0	0.632	514
1000.0	0.547	578
1500.0	0.447	675
2500.0	0.346	720

\* All other intermediate resistance values are available and can be manufactured on a normal delivery cycle.

### DIMENSIONS in inches [millimeters]



Knob # 952

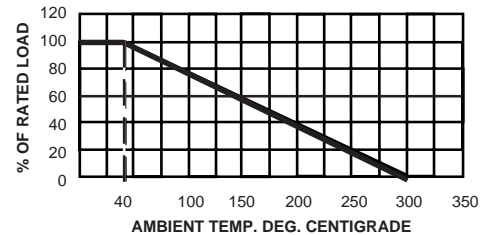


Dial # 949



### DERATING

Angstrom rheostat standard wattage ratings are based on a 300°C rise in "free-air" in ambient not exceeding + 40°C (shown). For other applications, wattage ratings are available based on 340°C rise in "free-air" in ambient not exceeding + 25°C, and in other cases + 50°C.



### MARKING

- Resistance value
- Amps
- Date code

### ORDERING INFORMATION

**MP40** MODEL      **A** STANDARD SHAFT CONFIGURATION      **25** VALUE

Other lengths available on special order

**NOTE:** For Additional Features: Submit detailed drawing information when ordering "non-standard" parts.